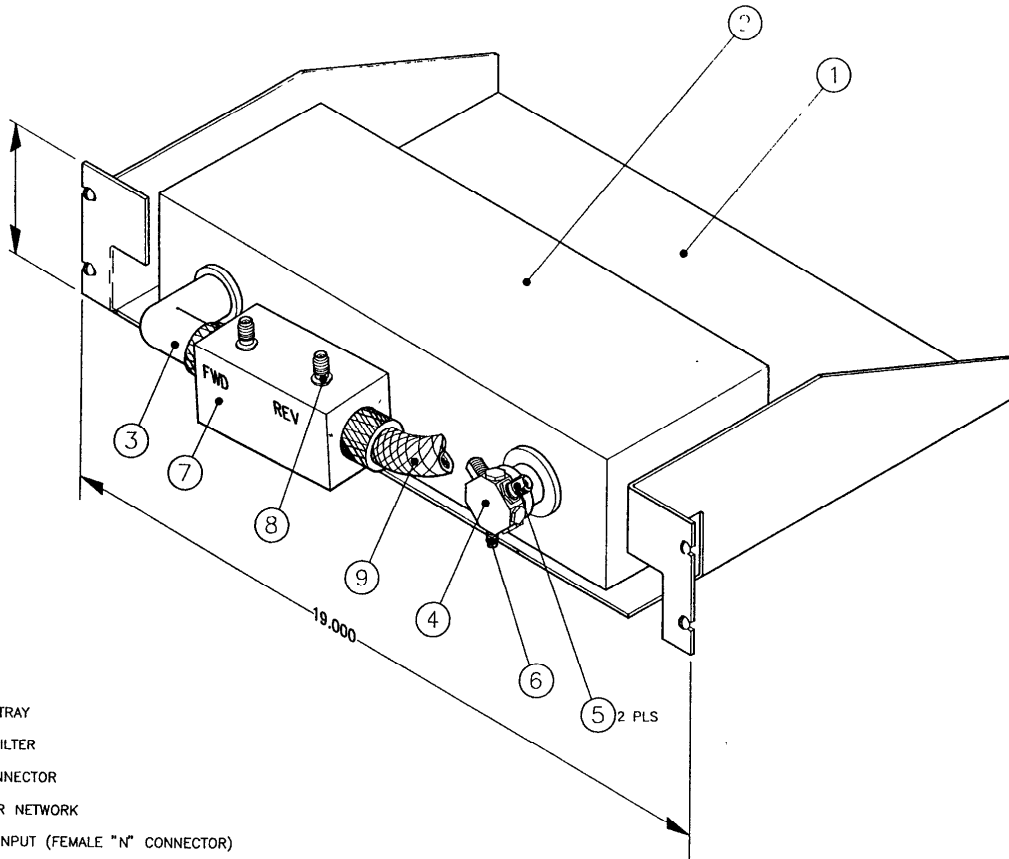



REV	PWD #	DATE	DFTR	DESCRIP1
A		02-12-92	B.S.	INITIAL RELEASE
B		09-25-92	B.S.	REVISE TITLE



NOTES:

- ① MOUNTING TRAY
- ② TRANSMIT FILTER
- ③ 90° LC CONNECTOR
- ④ 2 WAY STAR NETWORK
- ⑤ COMBINER INPUT (FEMALE "N" CONNECTOR)
- ⑥ TNC PROBE (SNIFFER PORT)
- ⑦ PMU DETECTOR
- ⑧ TNC PROBES (PMU "FWD" & "REV" PWR PORTS)
- ⑨ 7/8" JUMPER W/LC CONNECTOR

TITLE		ERICSSON  Ericsson Radio Systems, Inc.	
RBS 500 HP TX FILTER & JUNCTION ASSEMBLY		<small>THIS DRAWING AND THE INFORMATION CONTAINED HEREIN ARE PROPRIETARY TO ERICSSON RADIO SYSTEMS, INC. AND MAY BE USED, REPRODUCED OR DISCLOSED IN ANY MANNER WITHOUT WRITTEN PERMISSION OF ERICSSON RADIO SYSTEMS, INC. UNAUTHORIZED REPRODUCTION IS STRICTLY PROHIBITED. THE USER OF THIS DRAWING SHALL BEAR THE RISK OF INJURY OR DAMAGE TO PERSONS OR PROPERTY. THE USER SHALL BE RESPONSIBLE FOR OBTAINING ALL NECESSARY PERMITS AND APPROVALS FROM THE APPROPRIATE AGENCIES. THE USER SHALL BE RESPONSIBLE FOR OBTAINING ALL NECESSARY PERMITS AND APPROVALS FROM THE APPROPRIATE AGENCIES.</small>	
PROJECT		TYPICAL	
SITE NO / NAME		TYPICAL	
DRAFTER	B. SORRELLS	06 FEB 92	DWG. NO.
CHECKER	<i>Chaguy White</i>	9-25-92	C 1533-IPA-1113563
APPROVAL			B
DWG. SIZE	SCALE	NONE	SHEET 1 OF 1
			REV