

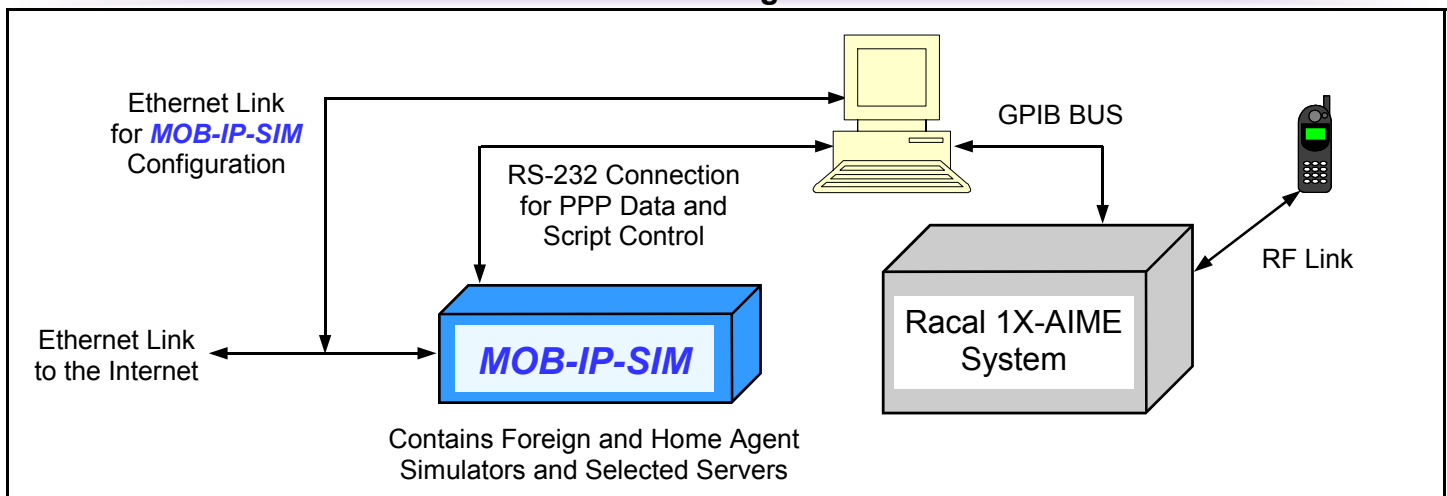
Mobile IP Simulator

Supporting Racal Instruments' 1X-AIME

Introduction

The **MOB-IP-SIM** is a test solution for testing wireless devices that are using Mobile IP as their high speed data interconnectivity protocol. The **MOB-IP-SIM** provides a Foreign Agent and Home Agent simulator that allows the wireless device to complete a Mobile IP connection. All registration and security features are available. The system comes with built-in web pages for testing specific features, or the wireless device can go through the simulator and access the Internet. The user has great latitude in setting the configuration to be tested. In addition, the user can configure Mobile IP error conditions to test fault recovery performance.

Block Diagram



Feature List

- Simulation of Home and Foreign Agent
- Configurable IP Addresses for all Software Components
- Data Message / Protocol Logging for Troubleshooting
- Status Logging
- Web-Based Configuration using HTML Forms
- Configurable Network Address Translation
- Flexible RS-232 and Ethernet Links for Data, Control and Configuration
- Auto Detection of Authentication Type for Registration Requests
- Internal HTTP Proxy Server for Format Translations
- Built-in HTML Content for Stand-alone Testing
- AT Command Set for Message Parsing and Control
- Configurable Error Conditions such as:
 - ◊ Missing Router Advertisement
 - ◊ PPP Link Failures
 - ◊ Delayed FA Registration Response
 - ◊ Invalid Care-of Address(es)
 - ◊ Registration Failures

This product includes software developed by the University of California, Berkeley and its contributors.
This product includes software developed by the Australian National University and Carnegie Mellon University.

Main Office

182-104 Wind Chime Court ♦ Raleigh, NC 27615
Phone: (919) 846-5583 ♦ Fax: (919) 846-5586

Satellite Office

3235 Satellite Blvd. ♦ Building 400, Suite 300 ♦ Duluth, GA 30096
Phone: (770) 291-2098 ♦ Fax: (770) 291-2106